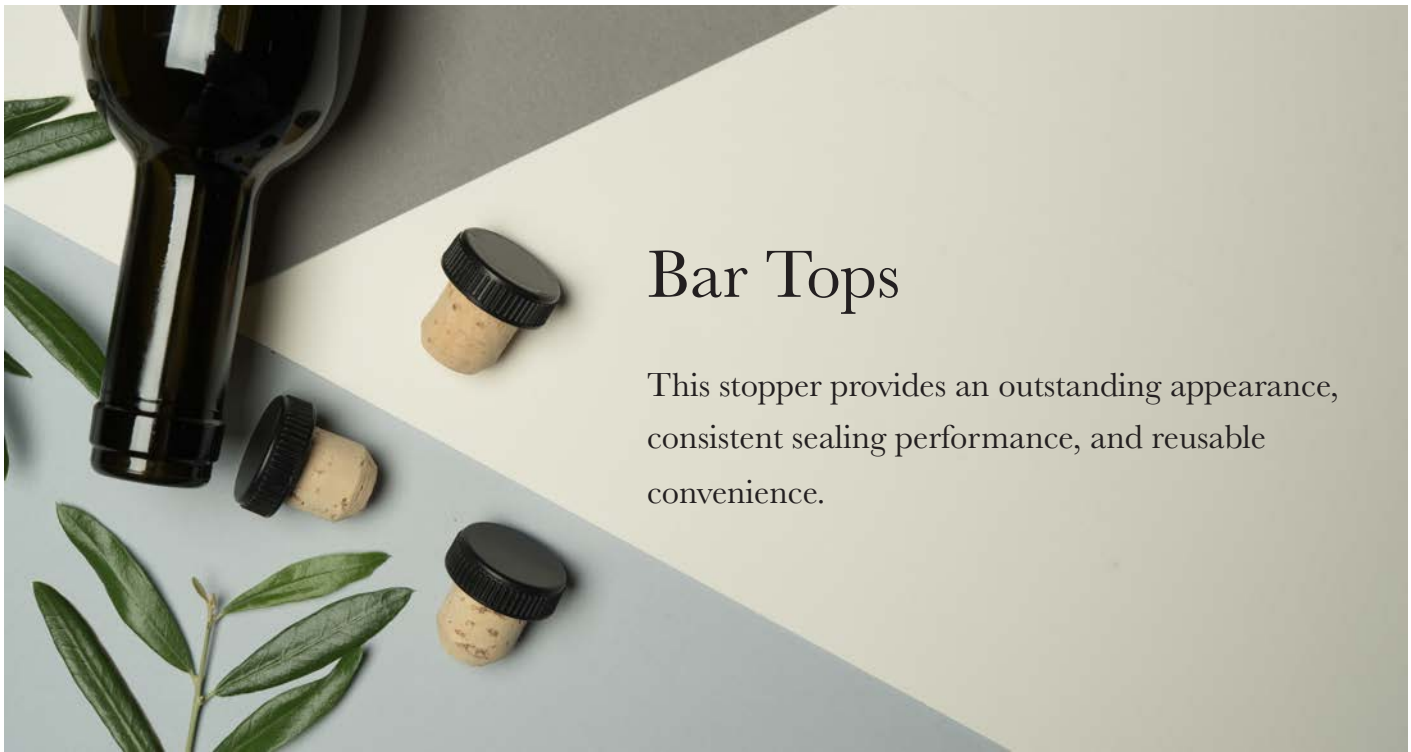




MASILVA USA
THE PERFECT FIT FOR YOUR WINE



Bar Tops

This stopper provides an outstanding appearance, consistent sealing performance, and reusable convenience.

QUALITY. REUSABLE. CONVENIENT.

M. A. Silva offers the finest bar tops using our highest quality natural cork material with wooden, plastic, or custom tops as a reusable closure for fortified wine, spirits, olive oils, and vinegars.

TECHNICAL SPECIFICATIONS

Dimensional

Length (cork + cap):

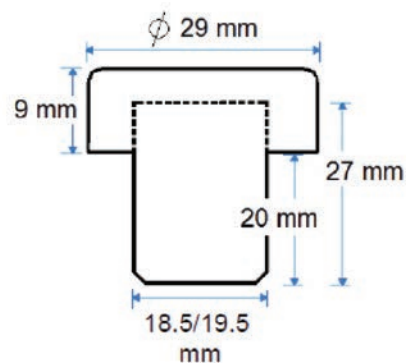
22mm; nominal +/- 1.0 mm

Standard dimensions* :

27mm cap/ 8mm thick with an
18.5 mm or 19.5 mm diameter natural
cork stopper. Nominal +/- 0.5mm.

* Different grades and custom sizes are available.

Standard Bartop Specifications



MASILVA USA

info@masilva.com

masilva.com

@masilvacorksusa

707.636.2530